

TURBO-SPRITZE EVO 950



TURBOEVO
SPRITZE

TURBO-SPRITZE EVO 950 DIN EN 15182 DATA SHEET



The AWG TURBO-SPRITZE EVO 950 is a hollow jet pipe according to DIN EN 15182 with adjustable jet shape at adjustable constant flow.

The AWG TURBO-SPRITZE EVO 950 is the rods of choice for extinguishing from outside of a building. A generous selectable flow rates enables the application of large quantities of extinguishing water to extensive fire sources.

A Unit of IDEX Corporation



TURBO-SPRITZE EVO 950

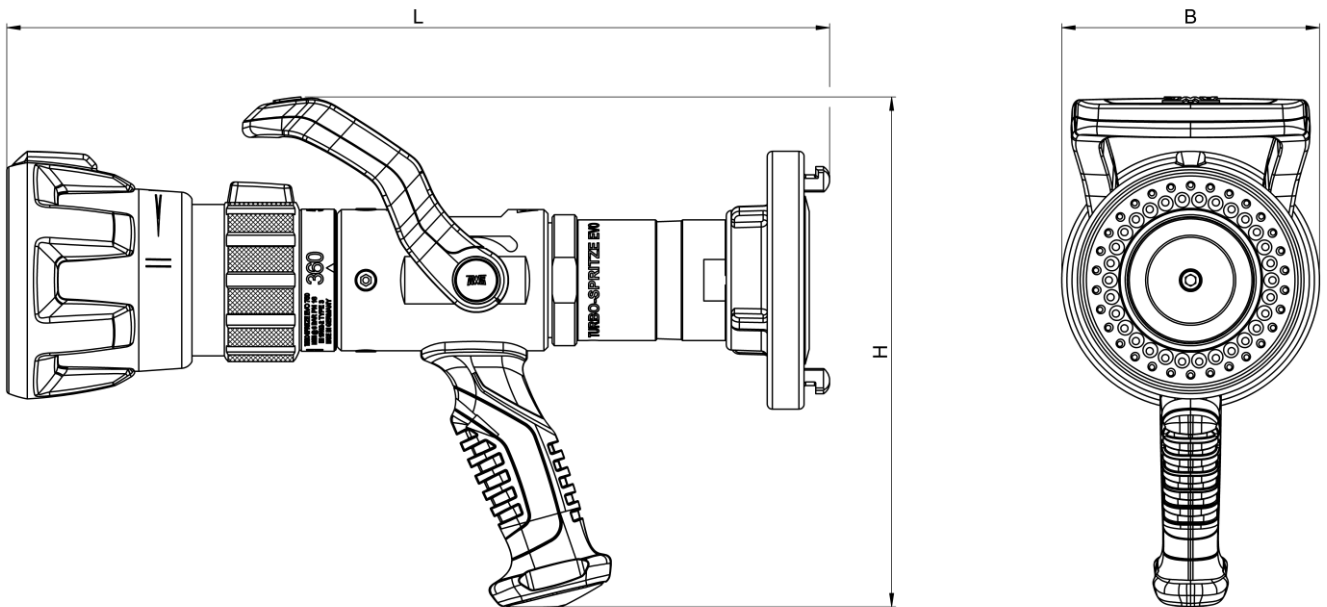
Feature:

- High flow rates
- Designed for outside attack
- Maximum working pressure: 16 bar
- Flow settings: 550 ; 750 ; 950 l/min at 6 bar

Material:

Body: anodized aluminum alloy
Bumper: EPDM
Pistol grip & Lever: PP, PA, ABS

Sketch:



TURBO-SPRITZE EVO 950

Technical specifications:

Id.-Nr.	Inlet	Length	Width	Height	Weight	Nominal pressure	Turbo wheel	Handle	Spray angle
		[mm] L	[mm] B	[mm] H	[kg]	[bar]			
11201833	Storz 75 (B)	405	126	250	3,5	16		■	0 - 120

TURBO-SPRITZE EVO 950

General data:

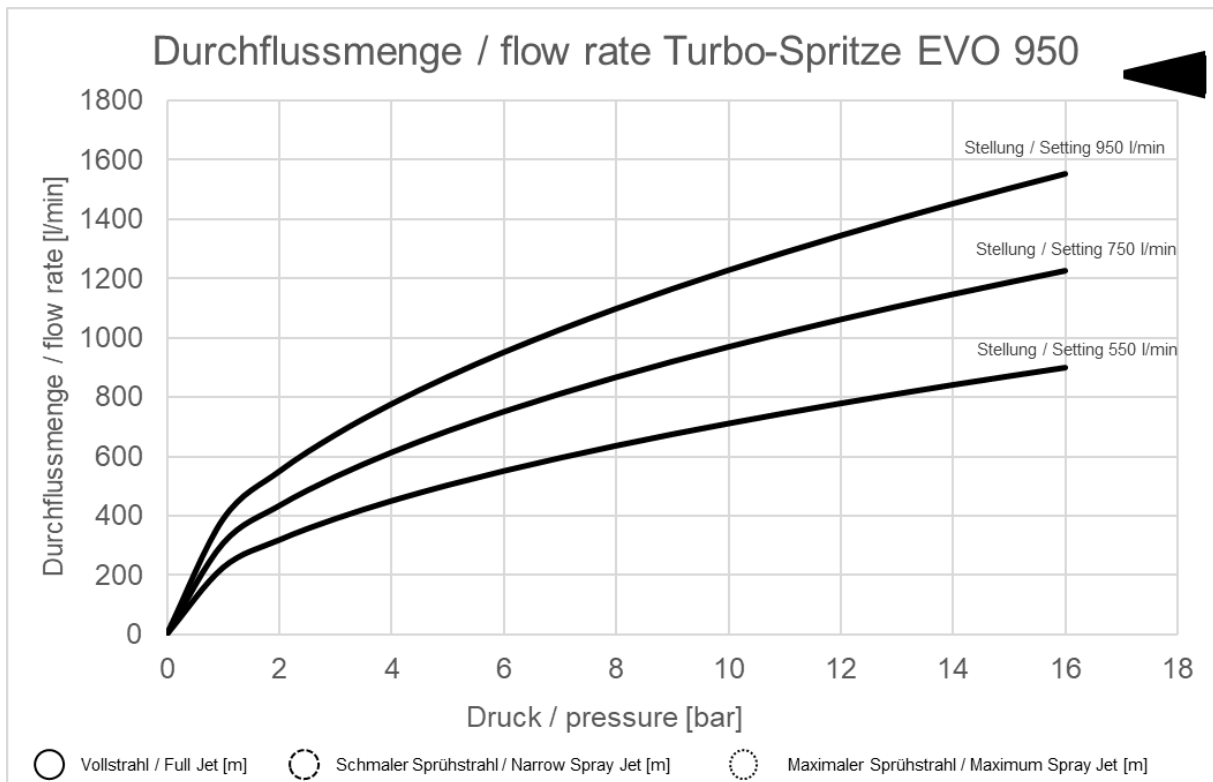
Manufacturer	AWG Fittings GmbH
Type	TURBO-SPRITZE EVO 950

Type according to EN 15182-1 Annex A	EN 15182-2 Type 3
---	-------------------

Flowrate settings	550 ; 750 ; 950 l/min at 6 bar
--------------------------	--------------------------------

Type of spray	full cone spray
----------------------	-----------------

Flow – pressure chart:



Throw distance at reference pressure p_R of 6 bar:

	Vollstrahl / Full Jet [m]	Schmaler Sprühstrahl / Narrow Spray Jet [m]	Maximaler Sprühstrahl / Maximum Spray Jet [m]
Stellung / Setting 550 l/min	41	24	17
Stellung / Setting 750 l/min	45	27	19
Stellung / Setting 950 l/min	47	29	21

TURBO-SPRITZE EVO 950

Operational devices:

3.1 Fitting system	Swivelling
3.2 Gripping device	Pistol grip
3.3 Open / shut-off device	Ball valve
3.4 Jet / spray system	Rotating operating element
3.5 Flow adjustment system	Rotating operating element

Conditions:

EN 15182-2	Item	Minimum required	Test result
------------	------	------------------	-------------

Operating and Handling	Dimension [mm]	600 x 350 x 200	405 x 250 x 126
	Mass [kg]	5,5	3,5
	Torques , needed for moving operating elements [Nm]		
	Lever	not applicable	not applicable
	Valve Lever	max. 15	<7
	Flow adjustment element	max. 10	1,3
	Jet adjustment element	max. 10	1,3
	Rotating inlet element	max. 5	3
	Flow adjustment Rotation from minimal to maximal flow.	max. 180°	160°
	Jet adjustment Rotation from straight jet to wide spray jet	70° - max. 270°	80°
Performance	Straight jet		
	Effective throw [m]	min. 40	47
	Spray jet		
	Wide spray jet: angle	min. 100°	120°
Narrow spray jet: angle	min. 30°	50°	
Physics	Sensitivity to frost [°C]	min. -32	-35
	Sensitivity to heat [°C]	min. 57	60
	Non-obstruction test [mm]	min. 6,35	9
	Burst pressure [bar]	min. 60	>60